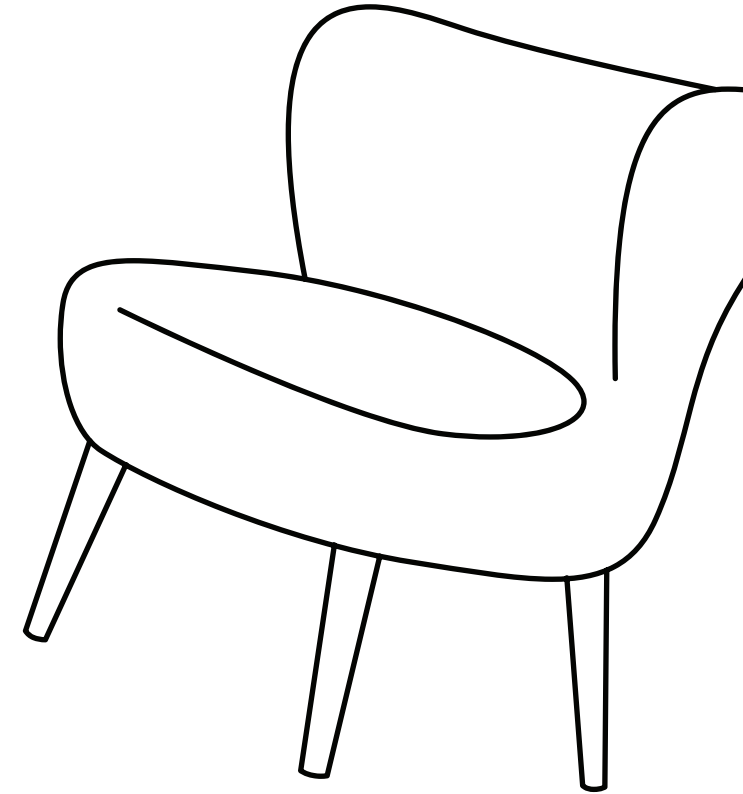
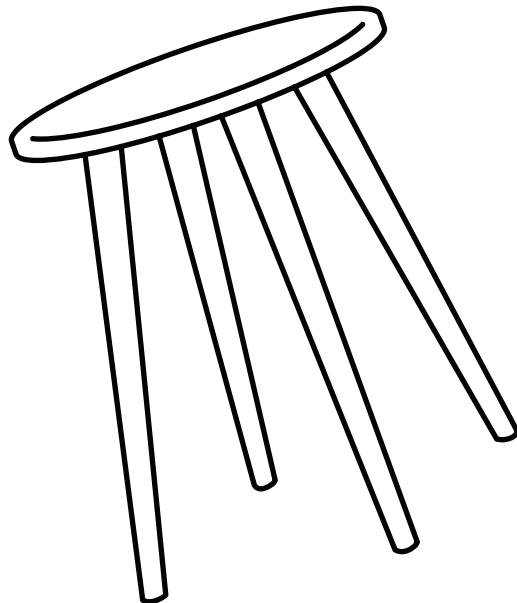


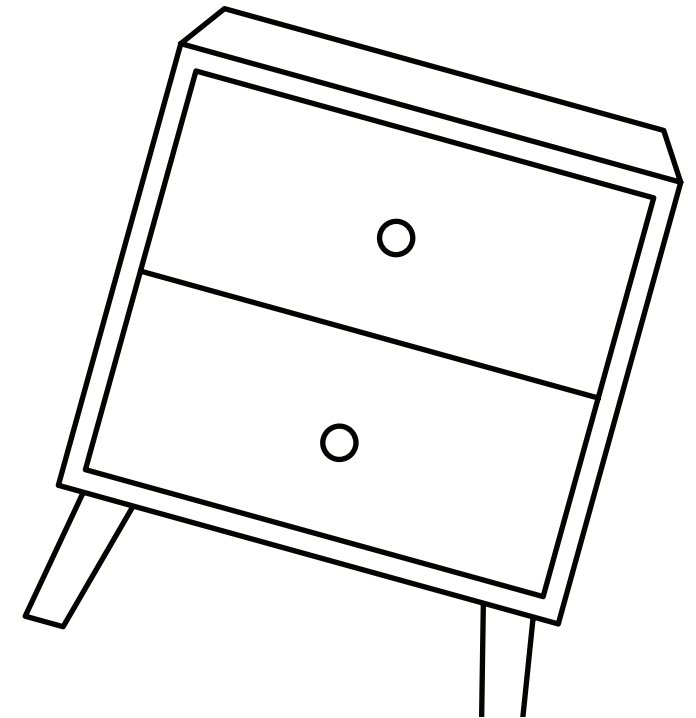
**Hello,
I've arrived!**



Now that I'm here you are only one
flat-pack away from transforming
your home.



Mocka.



Thank you for supporting us.

We believe design belongs to everyone. From materials and processes to safety testing, production and delivery, we are passionate and committed to bringing you the best possible product so you can create beautifully functional spaces to feel comfortably you.

Here are a few assembly tips before you get started:



Make Time

The first step to all seamless assembly is taking a moment to carefully read through the instructions—you are already on your way to creating a beautifully functional space!



Set The Mood

Put on your favourite playlist, order that pizza and pour yourself a drink to get in the mood!



Tool Check

Layout the instructions, screws and panels to check you have everything you need. A blanket or soft floor rug will help protect your new favourite item from scratches and a drill will speed up the assembly too!



Room Reveal





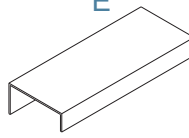






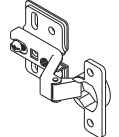
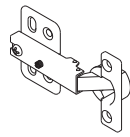


You did it! Take a step back and enjoy the moment. Don't forget to recycle any packaging and share a pic of your room reveal - we love seeing how you transform your home! **Tag us @mockaaustralia/@mockaanz**

Happy flat-packing!

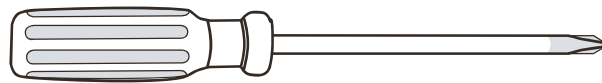
The Mocka Team

Need help? Our Support Team are available via live chat, email or phone. Visit our website for details.

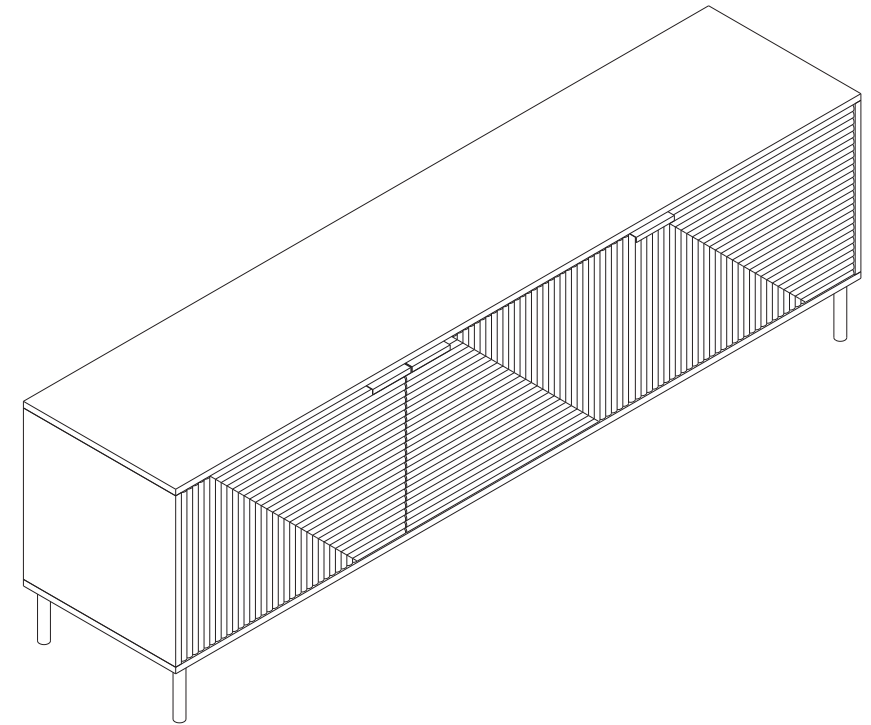
Phoenix Entertainment Unit

				
x12	x12	x20	4 x 35mm x8	x3
				
4 x 15mm x6	4 x 25mm x12	x4	x12	3 x 12mm x12
				
4 x 12mm x1	x4	x2	x2	4 x 12mm x8

HARDWARE SUPPLIED



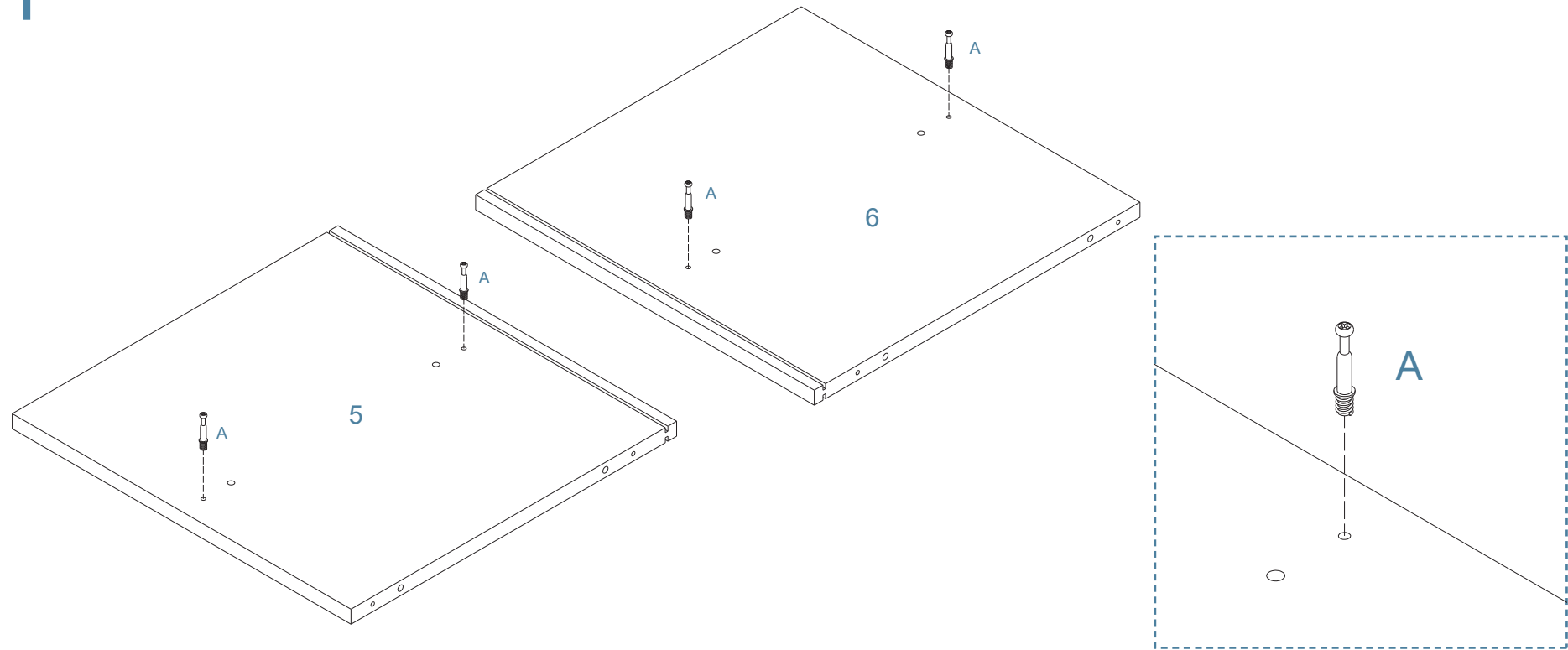
Phillips & Flathead screwdrivers required.
For quicker assembly, we recommend the
use of a power drill on a low-speed setting.



Phoenix

Entertainment Unit

1

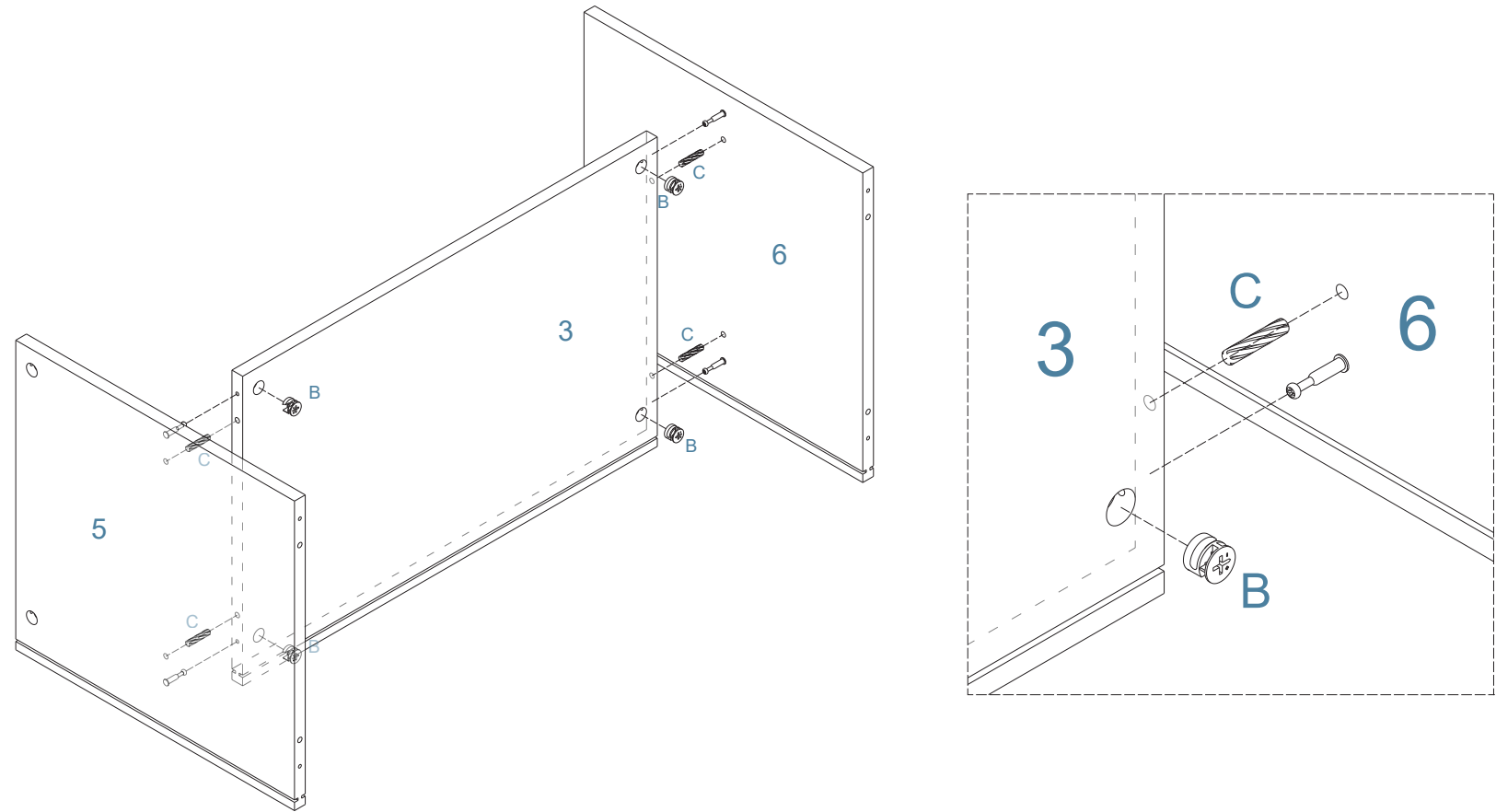


Attach panels [1] to panels [2]. Secure with 6 x bolts (A) as shown.
Tighten with allen key (B).

Phoenix

Entertainment Unit

2

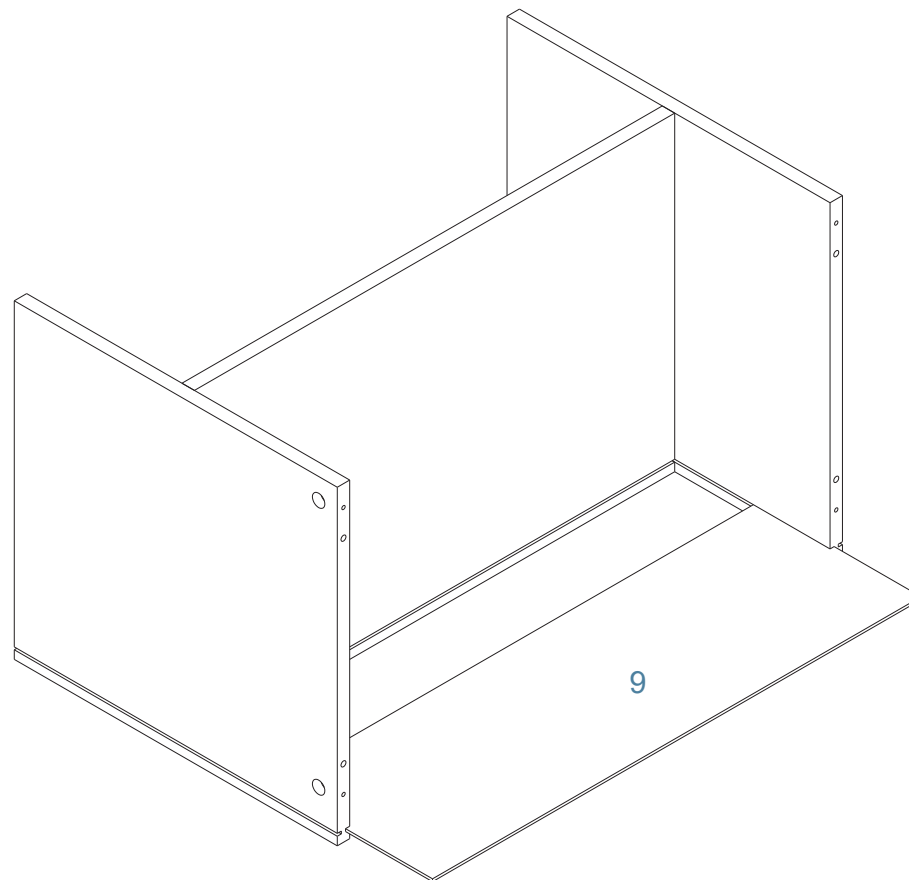


Attach panels [1] to panels [2]. Secure with 6 x bolts (A) as shown.
Tighten with allen key (B).

Phoenix

Entertainment Unit

3

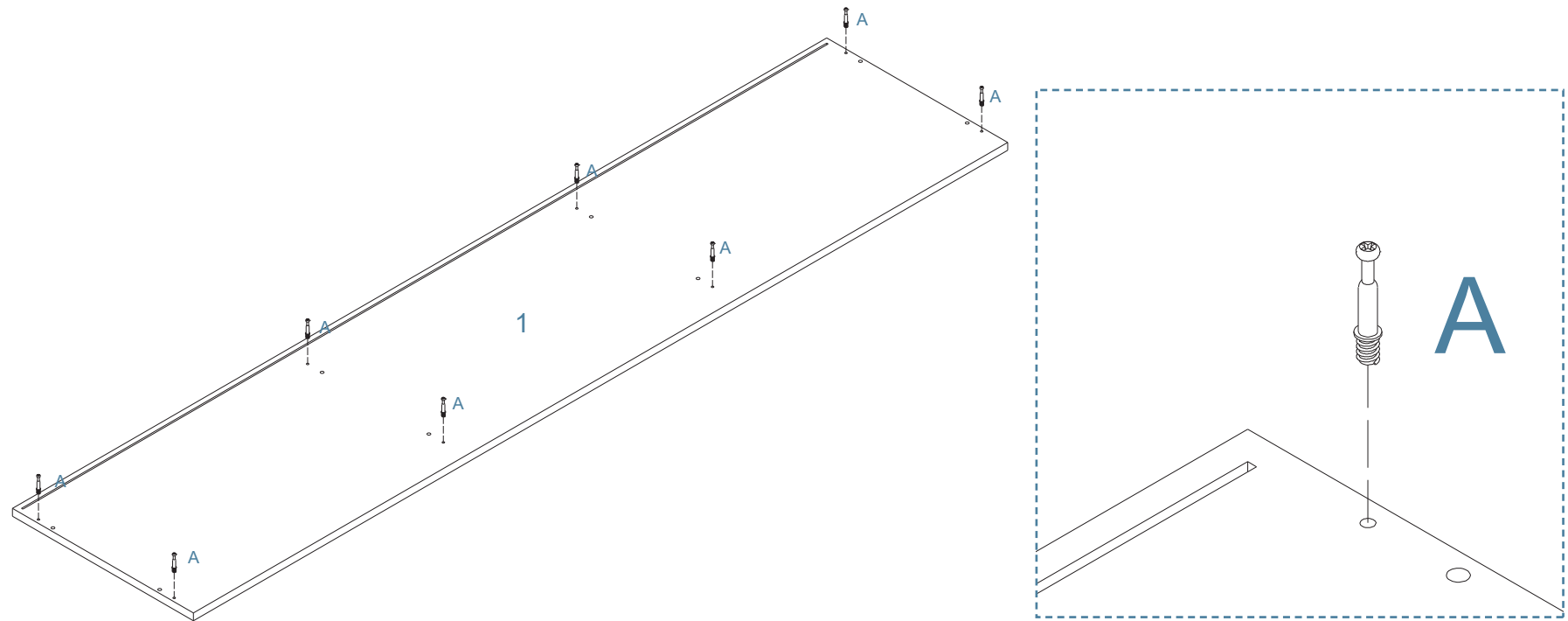


Attach panels [1] to panels [2]. Secure with 6 x bolts (A) as shown.
Tighten with allen key (B).

Phoenix

Entertainment Unit

4

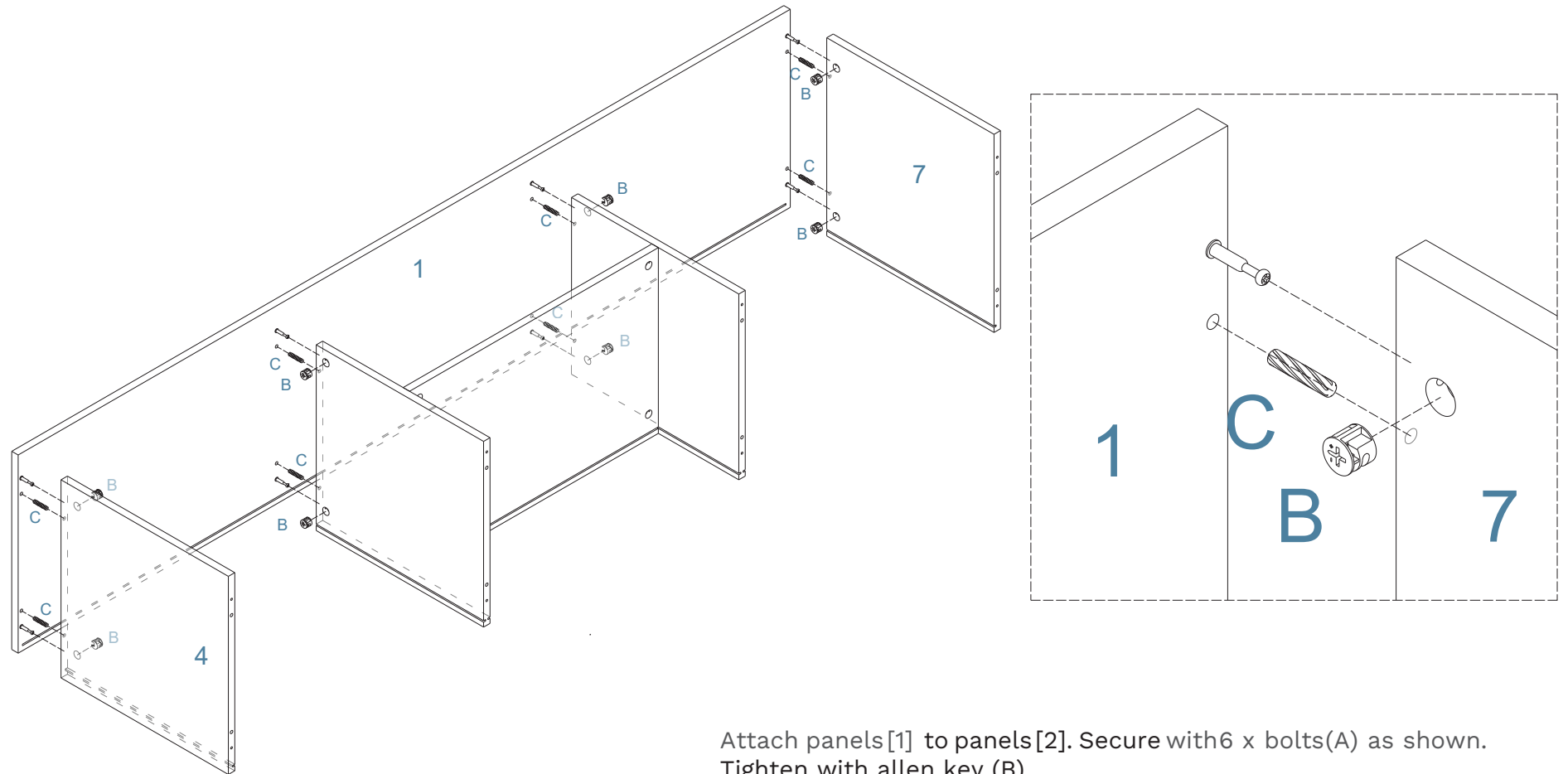


Attach panels [1] to panels [2]. Secure with 6 x bolts (A) as shown.
Tighten with allen key (B).

Phoenix

Entertainment Unit

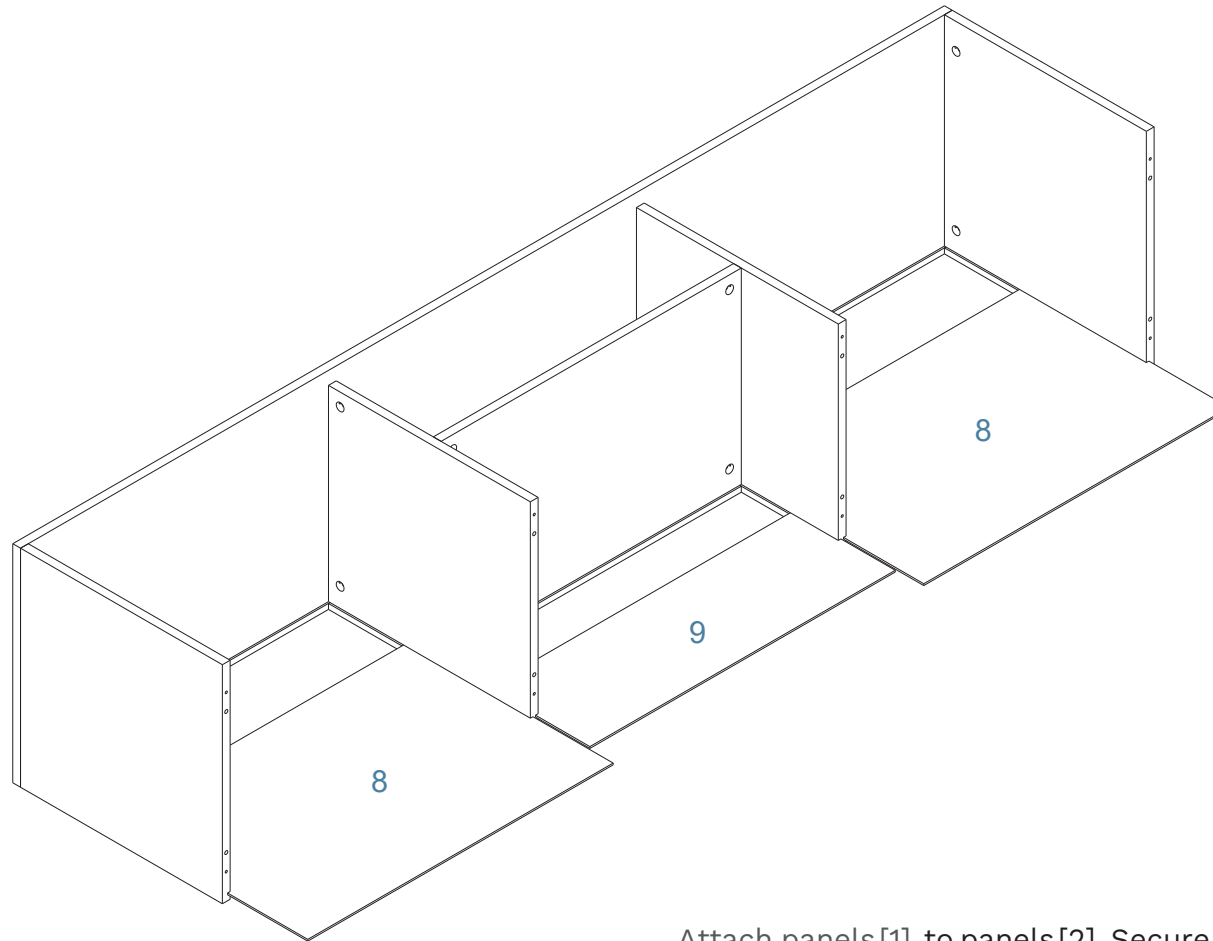
5



Phoenix

Entertainment Unit

6

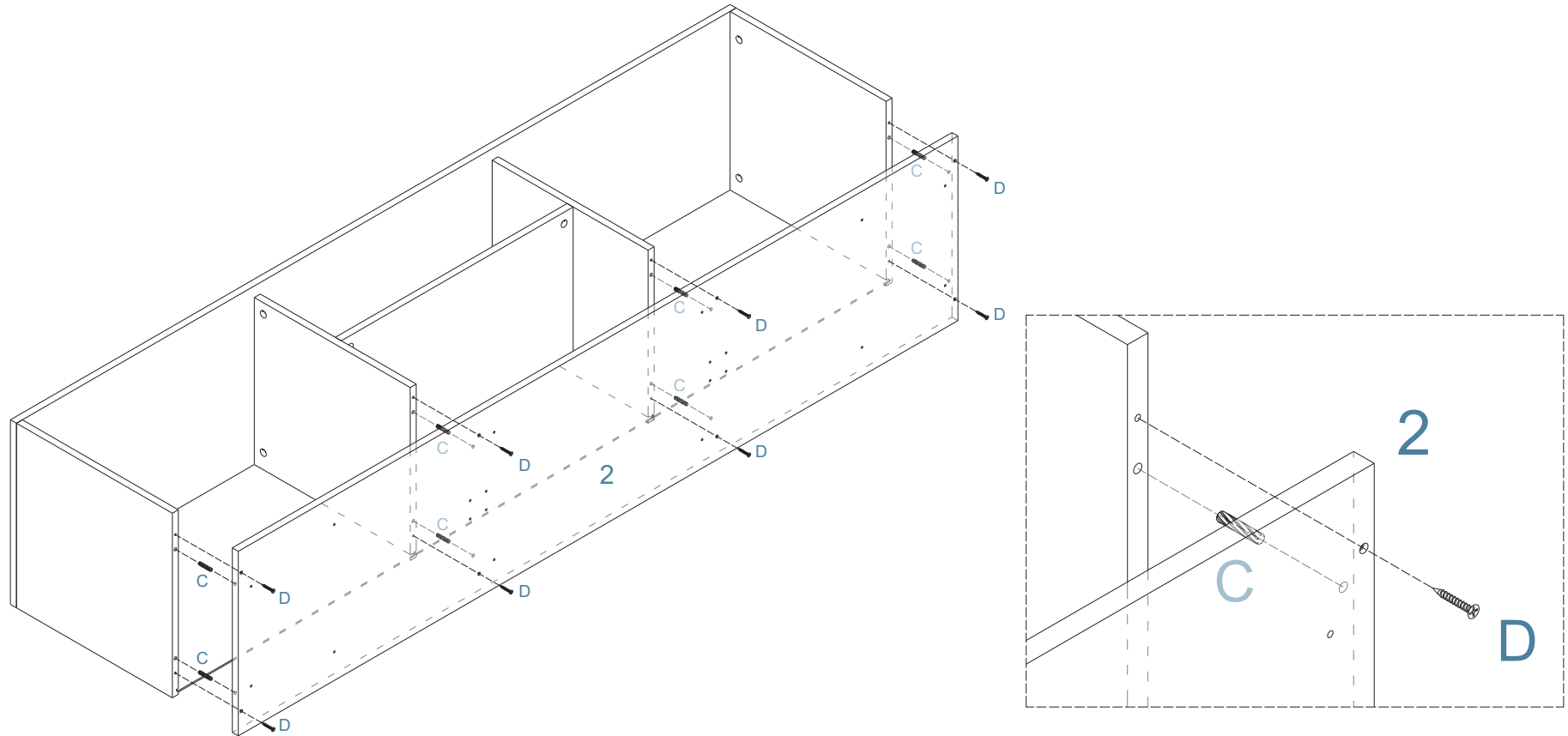


Attach panels [1] to panels [2]. Secure with 6 x bolts (A) as shown.
Tighten with allen key (B).

Phoenix

Entertainment Unit

7

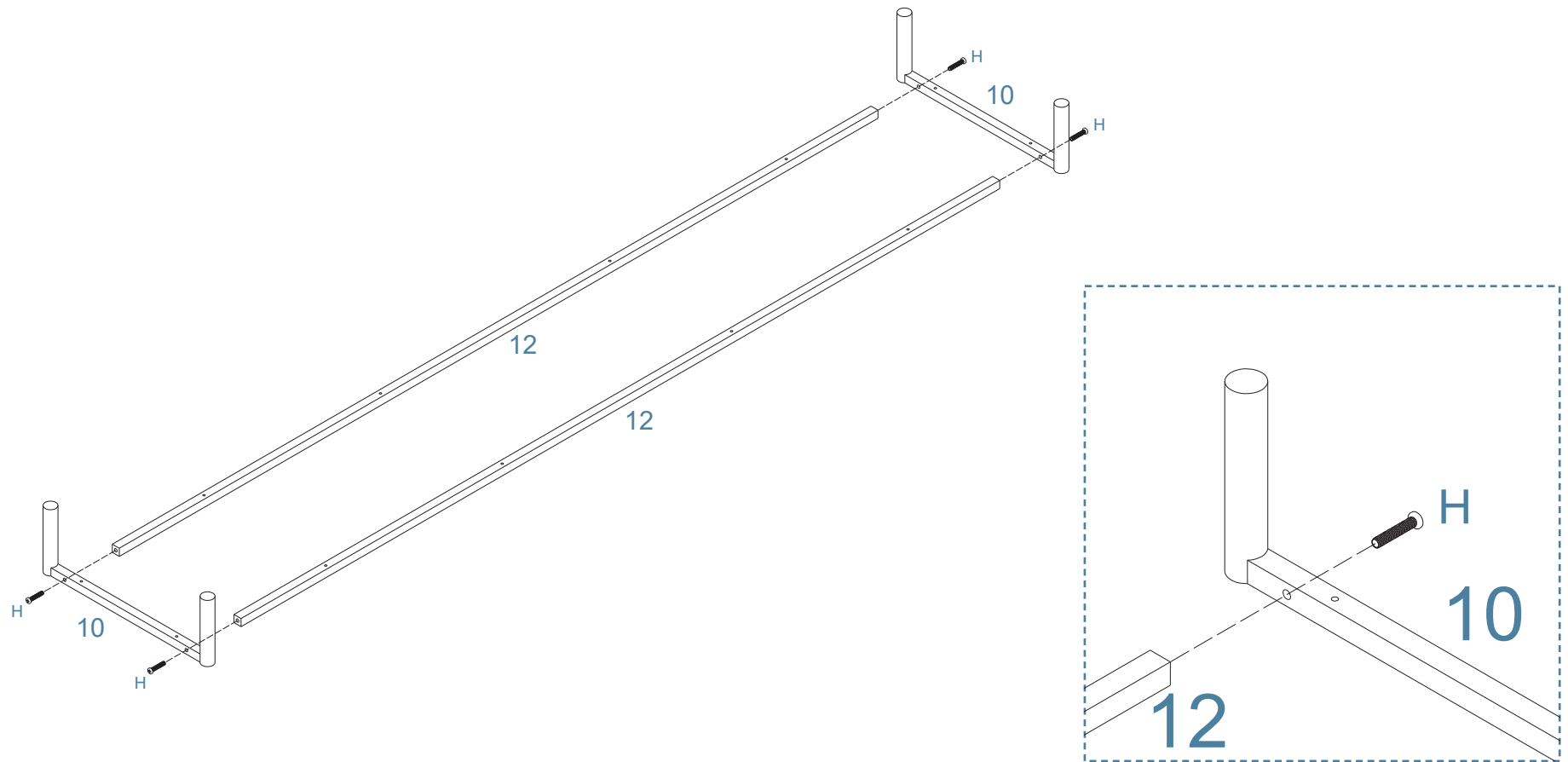


Attach panels [1] to panels [2]. Secure with 6 x bolts (A) as shown.
Tighten with allen key (B).

Phoenix

Entertainment Unit

8

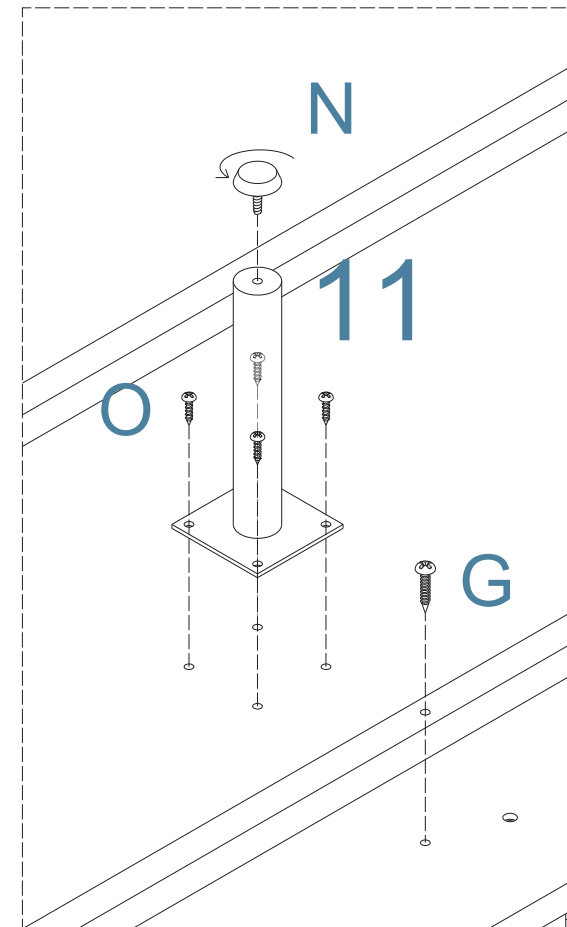
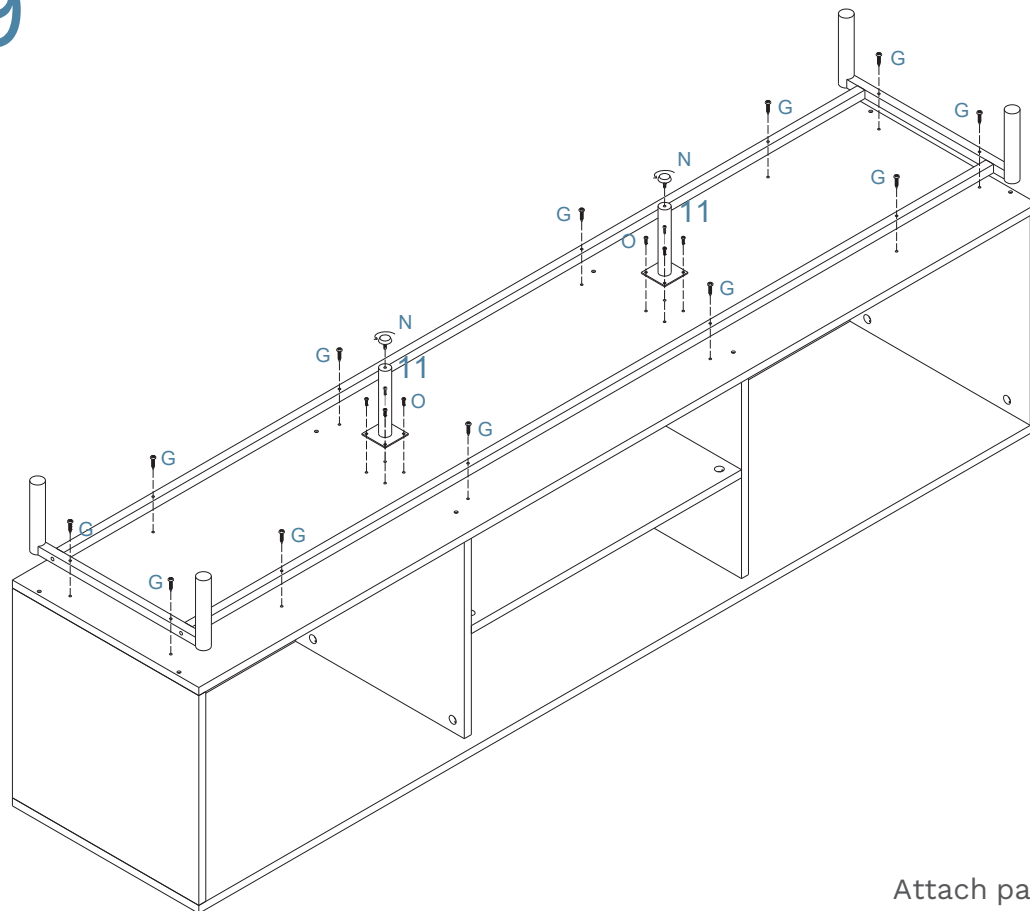


Attach panels [1] to panels [2]. Secure with 6 x bolts (A) as shown.
Tighten with allen key (B).

Phoenix

Entertainment Unit

9

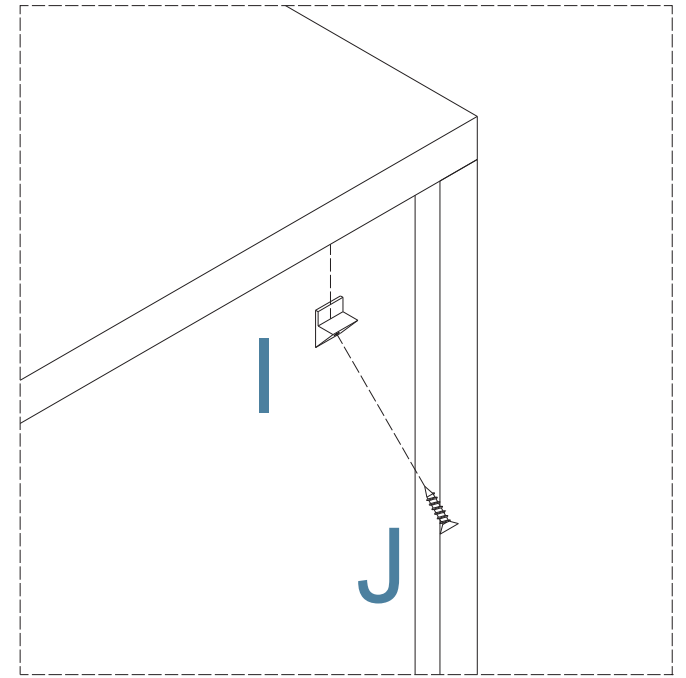
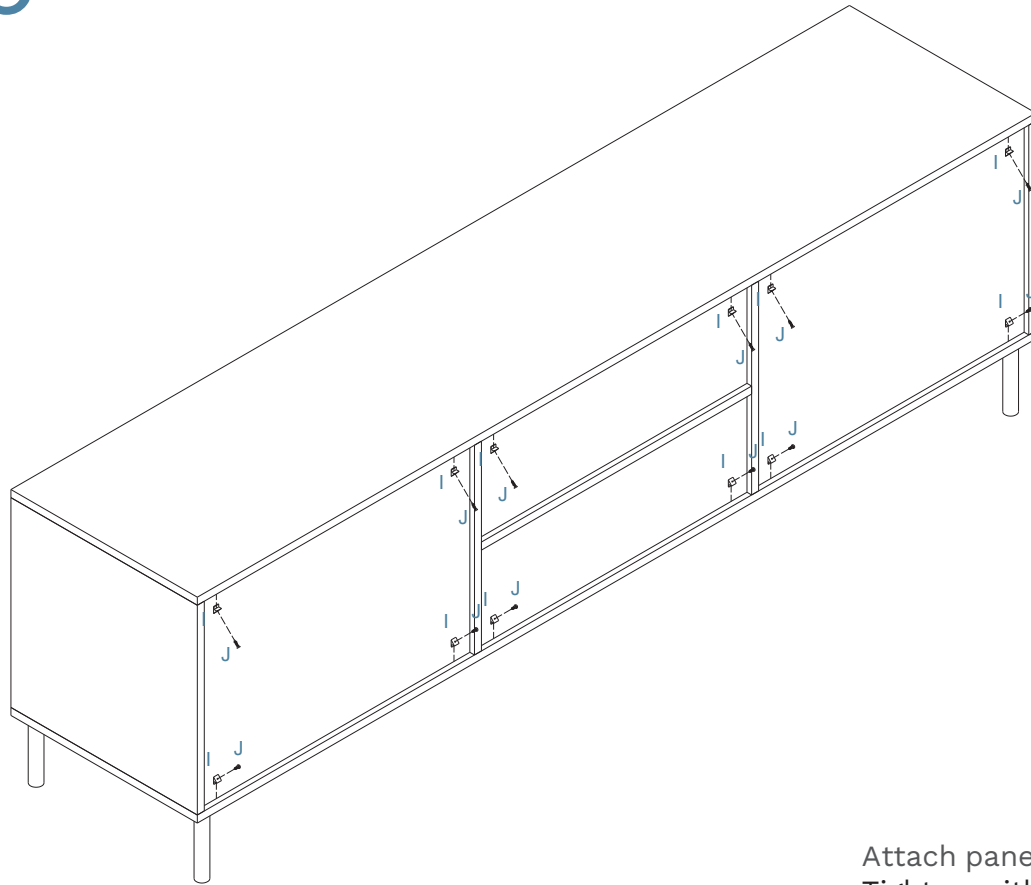


Attach panels [1] to panels [2]. Secure with 6 x bolts (A) as shown. Tighten with allen key (B).

Phoenix

Entertainment Unit

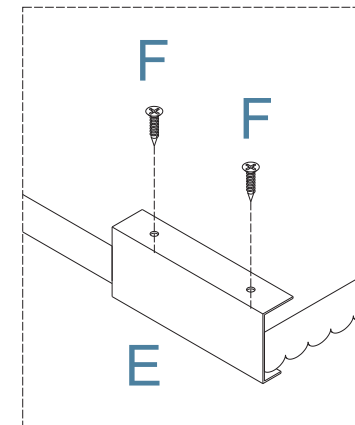
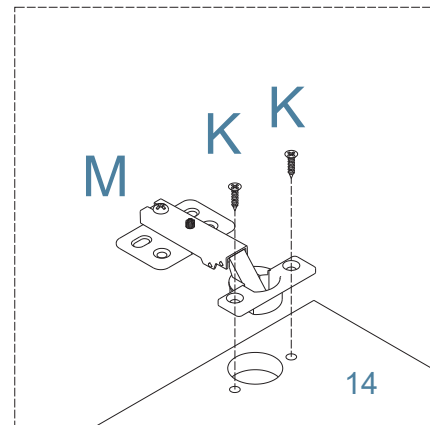
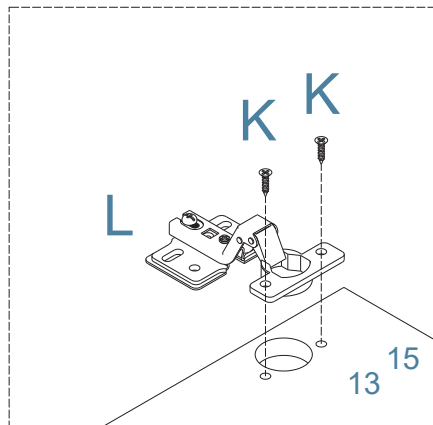
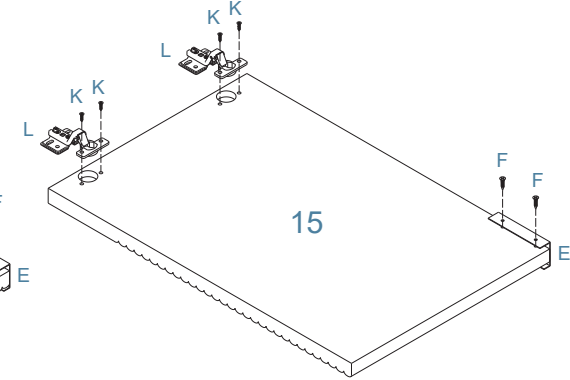
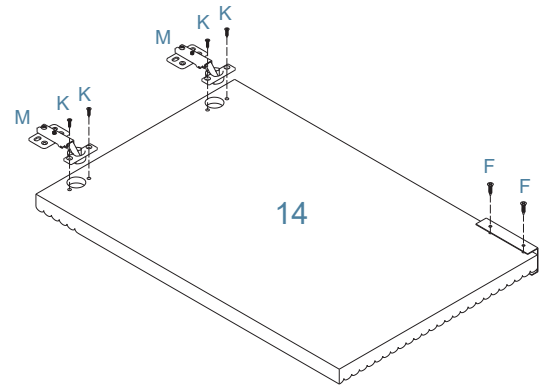
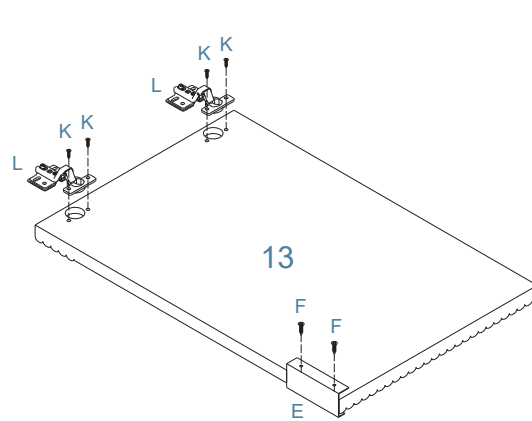
10



Attach panels [1] to panels [2]. Secure with 6 x bolts (A) as shown.
Tighten with allen key (B).

Phoenix Entertainment Unit

11

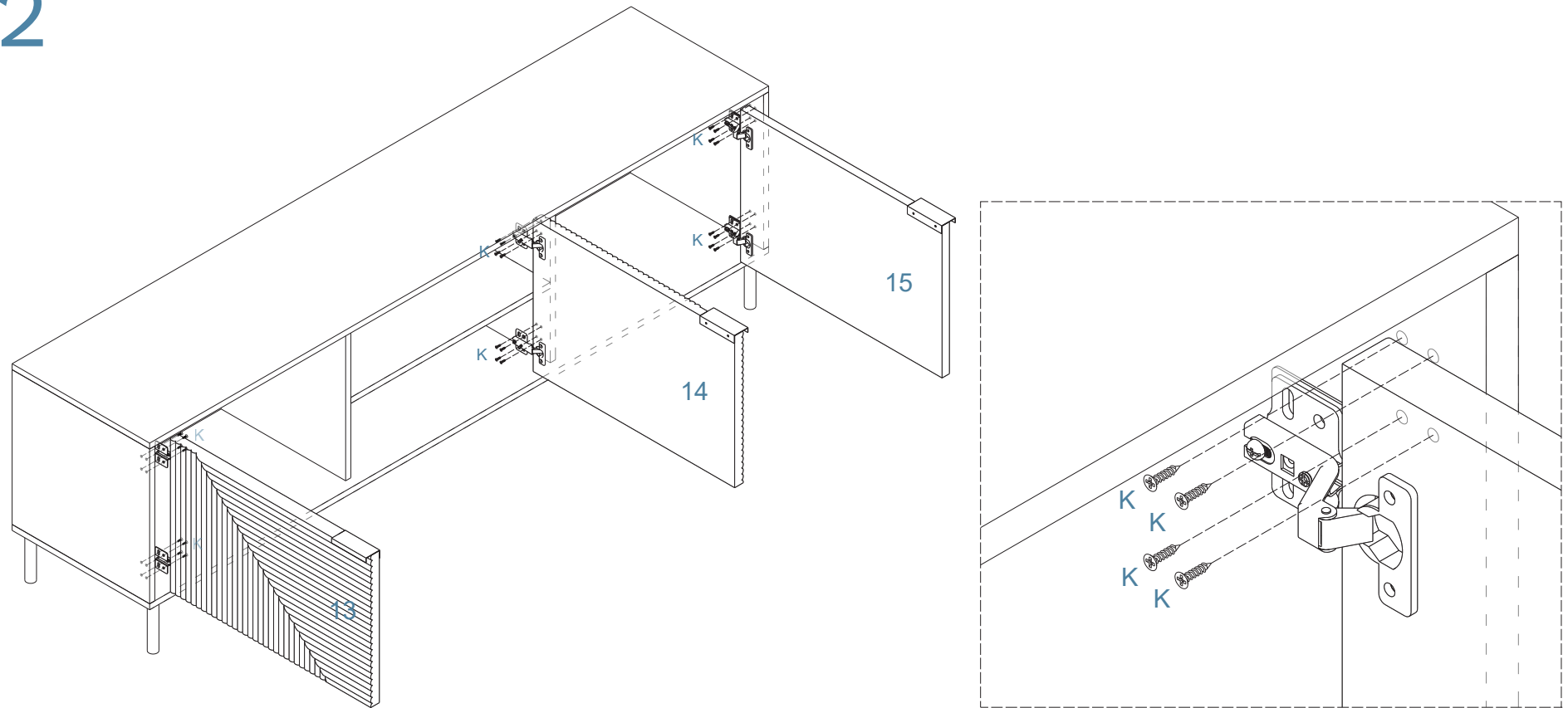


Attach panels [1] to panels [2]. Secure with 6 x bolts (A) as shown. Tighten with allen key (B).

Phoenix

Entertainment Unit

12



Attach panels [1] to panels [2]. Secure with 6 x bolts (A) as shown.
Tighten with allen key (B).